

Centronic SensorControl

SC711A

en

Assembly and Operating Instructions

Radio wind sensor

Important information for:

- Fitters / • Electricians / • Users

Please forward accordingly!

These instructions must be kept safe for future reference.

4033 630 176 0 03/11/2022

Becker-Antriebe GmbH
Friedrich-Ebert-Straße 2-4
35764 Sinn/Germany
www.becker-antriebe.com



BECKER

Table of contents



General	3
Warranty	3
Safety instructions	4
Intended use	4
Explanation of displays and buttons	5
Explanation of functions	5
Programming the transmitter	6
Assembly	7
Wiring	8
Cleaning.....	8
Disposal	9
Technical data	9
What to do if...?	10

General

You can control one or more sun protection systems with the sensor. The threshold for wind monitoring can be set with the Centronic SunWindControl transmitters.

This device is exceptionally easy to use.

Explanation of pictograms

	CAUTION	CAUTION indicates a hazardous situation which, if not avoided, could result in injury.
	ATTENTION	ATTENTION indicates measures that must be taken to avoid damage to property.
		Denotes user tips and other useful information.

Warranty

Structural modifications and incorrect installation which are not in accordance with these and our other instructions can result in serious injuries, e.g., crushing of limbs. Therefore, structural modifications may only be carried out with our prior approval and strictly in accordance with our instructions, particularly the information contained in these Assembly and Operating Instructions.

Any further processing of the products which does not comply with their intended use is not permitted.

The end product manufacturer and fitter have to ensure that all the relevant current statutory, official and, in particular, EMC regulations are adhered to during utilisation of our products, especially with regard to end product manufacture, installation and customer advice.

Safety instructions

General information

- Please keep the instruction manual safe!
- Only use unmodified original parts from the control unit manufacturer.
- Keep children away from control units.
- Observe all pertinent country-specific regulations.



Caution

- **Risk of injury due to electric shock.**
- **Connections to the 230 V mains must always be performed by an authorised specialist.**
- **Disconnect the connecting cable from the power prior to installation.**
- **Keep people out of the system's range of travel.**
- **If the system is controlled by one or more transmitters, the system's range of travel must always be visible during operation.**
- **When connecting the control cables (protected extra-low voltages), only use cables with sufficient electrical strength.**
- **Observe the specifications for the sun protection system.**

Intended use

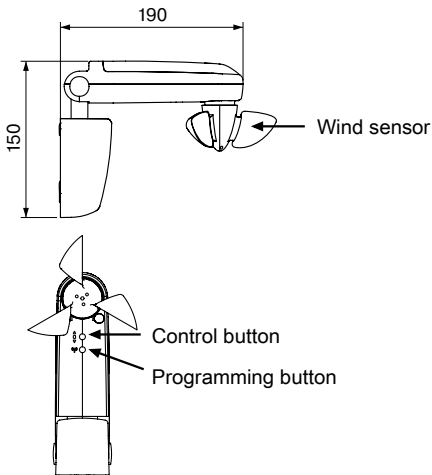
The sensor described in this instruction manual must only be used for operating Centronic-compatible radio drives and radio control units. The sensor is intended solely for the operation of sun protection systems. Use for other purposes or for purposes beyond the above constitutes improper use.

- Please note that radio-controlled systems may not be used in areas with a high risk of interference (e.g. hospitals, airports).
- The remote control is intended solely for use with equipment and systems in which malfunctions in the transmitter or receiver would not pose any risk to persons, animals or property, or which contain safety devices to eliminate such risks.
- The operator is not protected from interference from other telecommunications systems and terminal equipment (e.g. even from radio-controlled systems which are properly operated in the same frequency range).
- Only connect radio receivers to devices and systems approved by the manufacturer.



- Ensure that the control unit is not installed or operated close to metal surfaces or magnetic fields.
- Radio-controlled systems transmitting on the same frequency may cause reception interference.
- Note that the range of the radio signal is limited by legislation as well as by design.

Explanation of displays and buttons



Explanation of functions

Control button

The button commands are executed in the following order RETRACT - STOP - EXTEND - STOP, etc.



Programming the transmitter

i Before programming the sensor, a master transmitter suitable for adjusting sensors must be programmed into the radio receiver and the limit positions must be programmed. Up to three sensors can be programmed into the radio receiver.

Attention

When programming the transmitter, ensure that the range of travel of the sun protection system is unobstructed, as it may extend immediately.

1) Programming the master transmitter

a) Putting the receiver into programming mode

i Follow the Assembly and Operating Instructions for the receiver.

- Switch off the power supply to the receiver for 5 seconds, then switch it back on.

or

- Operate the programming button or the radio switch of the receiver.

The receiver is now in programming mode for 3 minutes.

b) Programming the master transmitter

Press the programming button on the master transmitter while in programming mode until the receiver confirms that programming has been successful. Programming is now complete.

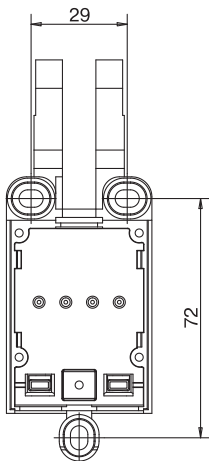
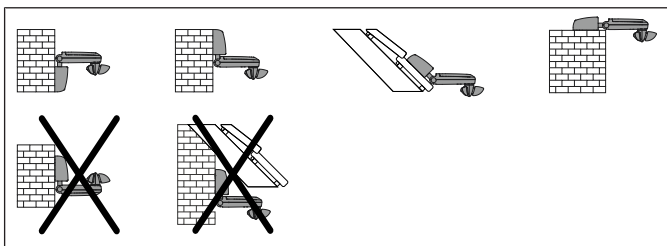
2) Programming the sensor

1. Press the programming button on the master transmitter until the receiver confirms.
2. Then press the programming button on the sensor until the receiver confirms.
3. Now press the programming button on the sensor again.
4. The receiver confirms successful programming.

Assembly



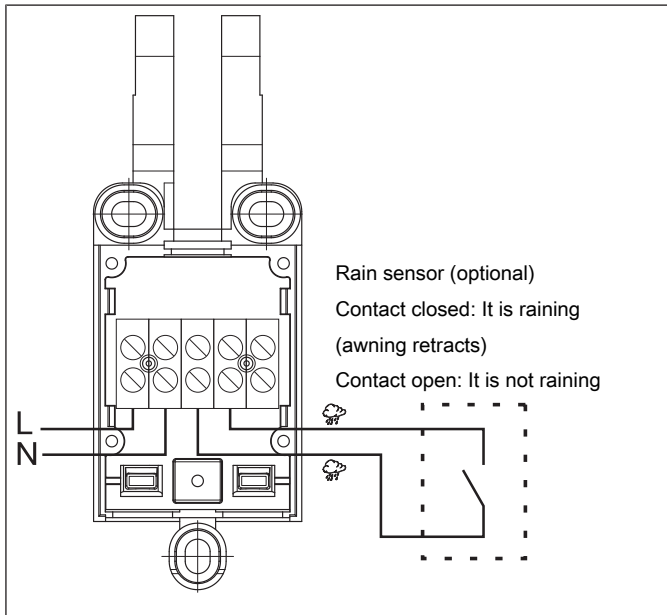
In order to ensure the correct functioning of the sensor, the sensor surfaces must not be covered.



- Check that the transmitter and receiver are functioning perfectly prior to installation in the desired location.
- Fix the sensor to the wall using the three enclosed screws.



Wiring



Caution

Secure the connecting cable against slipping out with the strain relief.

Cleaning

Only clean the device with a suitable cloth. Do not use aggressive cleaning agents that may damage the surface.

Disposal



The crossed-out bin symbol on the product indicates that the device is subject to mandatory disposal separate from household waste. This product must be handed over to a collection point for electrical and electronic equipment at the end of its service life.

The packaging material must be disposed of properly.

Technical data

Rated voltage	230-240 V AC / 50-60 Hz
Degree of protection	IP 44
Permissible ambient temperature	-25 to +55 °C
Maximum emitted transmission output	≤ 3 mW
Radio frequency	915.3 MHz

The maximum transmitter range on and in the building is up to 15 m, and up to 150 m in the open.

What to do if...?

Problem	Remedy
The drive is not functioning.	Reduce the distance from the receiver.
	Program the sensor into the receiver.
System does not extend manually.	The transmitter's wind threshold is exceeded. Wait for the wind to die down.
System extends when it is raining despite rain sensor.	Check connection.



BECKER