

# Centronic SunWindControl

## SWC241A-II

en

### Assembly and Operating Instructions

#### Hand-held transmitter for wind control

Important information for:

- Fitters / • Electricians / • Users

Please forward accordingly!

These instructions must be kept safe for future reference.

4033 630 277 0 14/07/2022

Becker-Antriebe GmbH  
Friedrich-Ebert-Straße 2-4  
35764 Sinn/Germany  
[www.becker-antriebe.com](http://www.becker-antriebe.com)



**BECKER**

## Table of contents

General .....	3
Warranty .....	3
Safety instructions .....	4
Intended use .....	5
Explanation of displays and buttons .....	6
Explanation of functions .....	7
Factory default settings .....	8
Programming the transmitter .....	9
Installing the wall bracket.....	10
Changing batteries.....	10
Cleaning.....	10
Technical data .....	11
What to do if...? .....	11



## General

With this transmitter you are able to control one or more sun protection systems, and set the threshold value for wind monitoring with the setting tool included.

This device is exceptionally easy to use.

Please observe these Assembly and Operating Instructions when installing and setting up the equipment.

### Explanation of pictograms

	<b>CAUTION</b>	CAUTION indicates a hazardous situation which, if not avoided, could result in injury.
	<b>ATTENTION</b>	ATTENTION indicates measures that must be taken to avoid damage to property.
		Denotes user tips and other useful information.

## Warranty

Structural modifications and incorrect installation which are not in accordance with these and our other instructions can result in serious injuries, e.g., crushing of limbs. Therefore, structural modifications may only be carried out with our prior approval and strictly in accordance with our instructions, particularly the information contained in these Assembly and Operating Instructions. Any further processing of the products which does not comply with their intended use is not permitted.

The end product manufacturer and fitter have to ensure that all the relevant current statutory, official and, in particular, EMC regulations are adhered to during utilisation of our products, especially with regard to end product manufacture, installation and customer advice.

# Safety instructions

## General information

- Please keep the instruction manual safe!
- Only use in dry rooms.
- Only use unmodified original parts from the control unit manufacturer.
- Keep children away from control units.
- Observe all pertinent country-specific regulations.
- Dispose of used batteries properly. Only replace the battery with one of the same type (see Technical Data).



### Caution

- **Keep people out of the system's range of travel.**
- **If the system is controlled by one or more transmitters, the system's range of travel must always be visible during operation.**
- **Device contains small parts that can be swallowed.**



### Caution

#### **THIS PRODUCT CONTAINS A LITHIUM BATTERY.**

**If swallowed, a lithium battery can cause severe or fatal injuries within 2 hours.**

**Keep batteries away from children.**

**If you think batteries may have been swallowed or placed inside any part of body, seek immediate medical attention.**

## Intended use

The transmitter described in these instructions must only be used indoors for the operation of Centronic-compatible radio drives and radio control units for sun protection systems.

### Attention

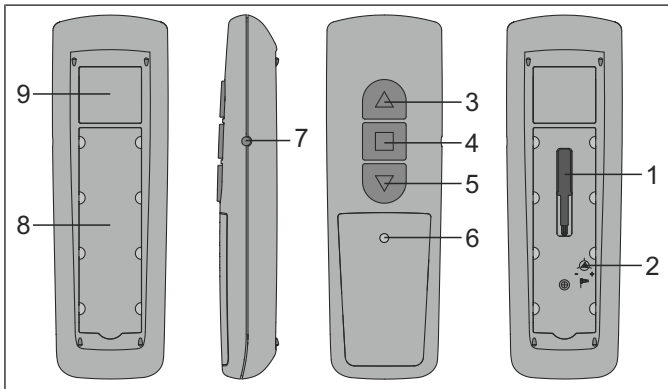
**A safety-relevant function has been provided for the threshold controller. Setting the threshold value wrongly can cause damage to the sun protection system. For that reason, setting the threshold value for the safety of your sun protection system should only be done by – or under the instruction of – a specialist retailer.**

- Please note that radio-controlled systems may not be used in areas with a high risk of interference (e.g. hospitals, airports).
- The remote control is intended solely for use with equipment and systems in which malfunctions in the transmitter or receiver would not pose any risk to persons, animals or property, or which contain safety devices to eliminate such risks.
- The operator is not protected from interference from other telecommunications systems and terminal equipment (e.g. even from radio-controlled systems which are properly operated in the same frequency range).
- Only connect radio receivers to devices and systems approved by the manufacturer.



- **Ensure that the control unit is not installed or operated close to metal surfaces or magnetic fields.**
- **Radio-controlled systems transmitting on the same frequency may cause reception interference.**
- **Note that the range of the radio signal is limited by legislation as well as by design.**

## Explanation of displays and buttons



1. Setting tool

2. Wind threshold regulator

3. RETRACT button

4. STOP button

5. EXTEND button

6. Channel indicator lamp

7. Programming button

8. Labelling field

9. Type plate

# Explanation of functions

## Channel

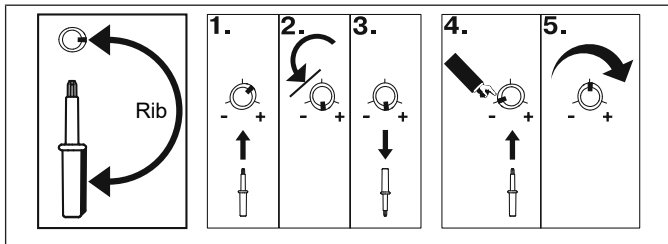
The channel of a transmitter can be programmed into one or more receivers. One receiver is operated through an individual command, several receivers through a group command.

## Channel indicator lamp

A radio signal is indicated by the channel indicator lamp lighting up. When the battery starts to lose power, the channel indicator lamp flashes when transmitting. The transmission strength and the radio range decrease as battery power declines. If the channel indicator lamp no longer lights up when a button is pressed, the battery must be replaced.

## Setting tool

When used properly, the rib on the handle of the tool serves as an orientation aid for setting the threshold value.



1. Insert the tool in the threshold regulator.
2. Turn the threshold regulator as far as the left stop.
3. Remove the tool.
4. Now insert the tool such that the rib points in the minus direction (-).
5. Turn the tool in the plus direction (+) until the desired threshold value is reached.

## Wind threshold regulator (in connection with a suitable sensor from the controller manufacturer)

You set the wind threshold value with this regulator (between about 2 m/s and 22 m/s).

The wind threshold value can be adjusted in 11 steps. When slowly turning the regulator, the tubular drive clicks to indicate the setting changes.

- Left stop	Stage 1, retract at low wind
+ Right stop	Stage 11, retract at very high wind

Changes made to the threshold value are transferred immediately.



**When setting the threshold, ensure that no button is pressed. When the wind speed exceeds the set wind threshold value, the sun protection system retracts and remains closed. The sun protection system can only be extended again after the wind speed has remained below the threshold value for approx. 15 minutes.**

### TEST mode

The TEST mode is activated by adjusting the threshold value. It automatically ends after about 15 minutes. In TEST mode, the time for which the wind is monitored is shortened.

## Factory default settings

Wind threshold value	Left stop (about 2 m/s)
----------------------	-------------------------



# Programming the transmitter



## Caution

Before programming the transmitter, check that the threshold controller is as set at the factory. Make sure when programming the transmitter that you are not in the travel region of the sun protection system.

## 1) Programming the master transmitter

### a) Readyng the receiver for programming



The master transmitter refers to the very first transmitter programmed in a receiver. In contrast to subsequently programmed transmitters, the master transmitter enables, among other things, the setting of limit positions and the programming or deleting of further transmitters. Any transmitter that has separate UP, STOP, DOWN buttons and a programming button can be a master transmitter.

Follow the Assembly and Operating Instructions for the receiver.

Operate the programming button on the transmitter using a suitable cylindrical tool (e.g. a ballpoint pen).

- Switch off the power supply to the receiver for 5 seconds, then switch it back on

or

- Operate the programming button or the radio switch of the receiver.

The receiver is now in programming mode for 3 minutes.

### b) Programming the master transmitter

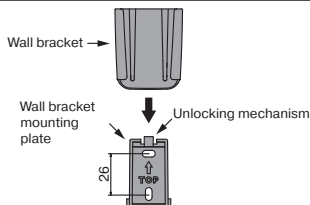
Press the programming button on the master transmitter while in programming mode until the receiver confirms that programming has been successful. The programming process is now complete.

## 2) Programming additional transmitters

1. Press the programming button of the master transmitter until the receiver confirms.
2. Then press the programming button of the new transmitter until the receiver confirms.
3. Now press the programming button of the new transmitter again.
4. The receiver confirms successful programming.



## Installing the wall bracket

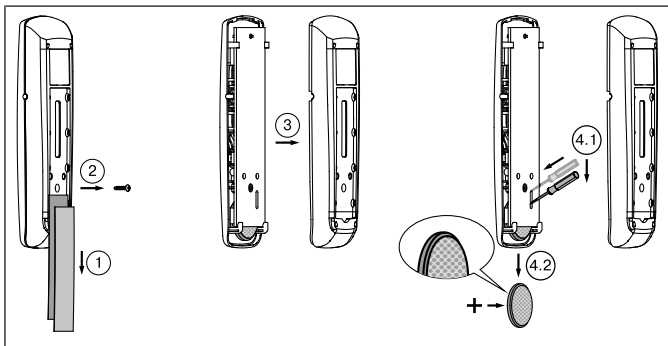


- Before installation in the desired installation position, check that the transmitter and receiver are functioning properly.
- Fix the bracket to the wall with the two screws enclosed.

## Changing batteries



You will find the appropriate battery type in the "Technical data" chapter.



## Cleaning

Only clean the device with a suitable cloth. Do not use aggressive cleaning agents that may damage the surface.

## Technical data

Rated voltage	3 V DC
Battery type	CR 2430
Degree of protection	IP 20
Permissible ambient temperature	-10 °C to +55 °C
Maximum emitted transmission output	≤ 3 mW
Radio frequency	915.3 MHz

The maximum transmitter range on and in the building is up to 15 m, and up to 150 m in the open.

## What to do if...?

Problem	Remedy
Drive is not functioning.	Insert a new battery.
	Insert the battery correctly.
	Reduce the distance to the receiver.
	Transmitter is not programmed in the receiver. Program transmitter.
System does not extend manually.	Wind threshold value exceeded. Wait for the wind to die down.





**BECKER**