

Centronic EasyControl

EC5410A-II

en

Assembly and Operating Instructions

10-channel hand-held transmitter

Important information for:

• Fitters / • Electricians / • Users

Please forward accordingly!

These instructions must be kept safe for future reference.

4034 630 197 0 14/07/2022

Becker-Antriebe GmbH
Friedrich-Ebert-Straße 2-4
35764 Sinn/Germany
www.becker-antriebe.com



BECKER

Table of contents

General information	3
Warranty	3
Safety instructions	4
Intended use	5
Explanation of displays and buttons	6
Explanation of functions	7
Programming the transmitter	8
Installing the wall bracket.....	9
Changing batteries.....	9
Cleaning.....	9
Technical data	10
What to do if...?.....	10

General information



Products such as roller shutter and sun protection systems, light controls and remote-controlled sockets can be operated using the 10 transmission channels.

In addition to the 10 individual transmission channels, this transmitter also has 3 central transmission channels which operate transmission channels 1-5, 6-10 and 1-10.

This device is exceptionally easy to use.

Please observe these Assembly and Operating Instructions when installing and setting up the equipment.

Explanation of pictograms

	CAUTION	CAUTION indicates a hazardous situation which, if not avoided, could result in injury.
	ATTENTION	ATTENTION indicates measures that must be taken to avoid damage to property.
		Denotes user tips and other useful information.

Warranty

Structural modifications and incorrect installation which are not in accordance with these and our other instructions can result in serious injuries, e.g., crushing of limbs. Therefore, structural modifications may only be carried out with our prior approval and strictly in accordance with our instructions, particularly the information contained in these Assembly and Operating Instructions.

Any further processing of the products which does not comply with their intended use is not permitted.

The end product manufacturer and fitter have to ensure that all the relevant current statutory, official and, in particular, EMC regulations are adhered to during utilisation of our products, especially with regard to end product manufacture, installation and customer advice.

Safety instructions

General information

- Please keep the instruction manual safe!
- Only use in dry rooms.
- Only use unmodified original parts from the control unit manufacturer.
- Keep children away from control units.
- Observe all pertinent country-specific regulations.
- Dispose of used batteries properly. Only replace the battery with one of the same type (see Technical Data).



Caution

- **Keep people out of the system's range of travel.**
- **If the system is controlled by one or more transmitters, the system's range of travel must always be visible during operation.**
- **Device contains small parts that can be swallowed.**



Caution

THIS PRODUCT CONTAINS A LITHIUM BATTERY.

If swallowed, a lithium battery can cause severe or fatal injuries within 2 hours.

Keep batteries away from children.

If you think batteries may have been swallowed or placed inside any part of body, seek immediate medical attention.

Intended use

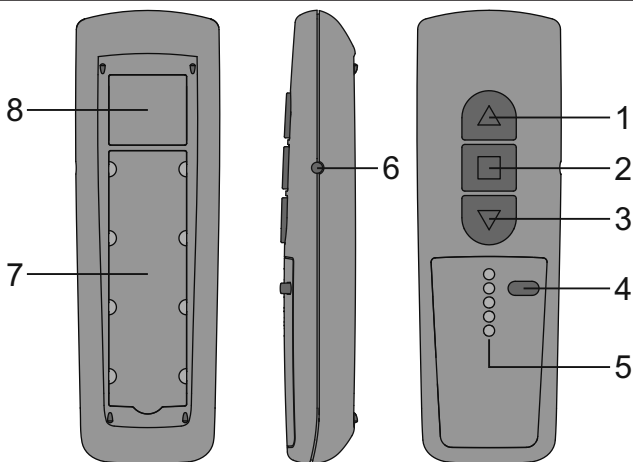
The transmitter described in these instructions must only be used for operating Centronic-compatible radio drives and radio control units.

- Please note that radio-controlled systems may not be used in areas with a high risk of interference (e.g. hospitals, airports).
- The remote control is intended solely for use with equipment and systems in which malfunctions in the transmitter or receiver would not pose any risk to persons, animals or property, or which contain safety devices to eliminate such risks.
- The operator is not protected from interference from other telecommunications systems and terminal equipment (e.g. even from radio-controlled systems which are properly operated in the same frequency range).
- Only connect radio receivers to devices and systems approved by the manufacturer.



- **Ensure that the control unit is not installed or operated close to metal surfaces or magnetic fields.**
- **Radio-controlled systems transmitting on the same frequency may cause reception interference.**
- **Note that the range of the radio signal is limited by legislation as well as by design.**

Explanation of displays and buttons



1. UP button
2. STOP button
3. DOWN button
4. Channel selection button
5. Channel indicator lamps
6. Programming button
7. Labelling field
8. Type plate

Explanation of functions

Channel

The channel of a transmitter can be programmed into one or more receivers. One receiver is operated through an individual command, several receivers through a group command.

Central command

If all the channels of the transmitter are selected, it is possible to operate all of the assigned receivers/groups simultaneously.

Channel selection button

Up to 10 channels can be selected using the channel selection button. The individual channels are indicated by the corresponding LED lighting up.

Channel	LED colour
1-5 and central command 1-5	green
6-10 and central command 6-10	red
1-10 central command	orange



You can make a note of the programmed channel in the labelling field underneath the transparent film. If you keep the channel selection button pressed for 3 seconds, the channel selection sequence will change.

Channel indicator lamps

A radio signal is indicated by the corresponding channel indicator lamp lighting up. The respective channel indicator lamp flashes while transmitting if the battery is getting weak. The transmission strength and the radio range decrease as battery power declines. If the channel indicator lamp no longer lights up when a button is pressed, the battery must be replaced.

Programming the transmitter

1) Programming the master transmitter



The central commands 1-5, 6-10 and 1-10 cannot be programmed separately.

a) Readyng the receiver for programming



Follow the Assembly and Operating Instructions for the receiver.

Operate the programming button on the transmitter using a suitable cylindrical tool (e.g. a ballpoint pen).

- Switch off the power supply to the receiver for 5 seconds, then switch it back on

or

- Operate the programming button or the radio switch of the receiver.

The receiver is now in programming mode for 3 minutes.

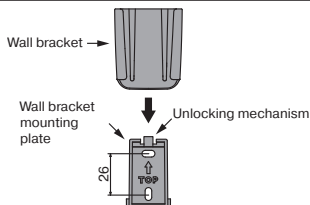
b) Programming the master transmitter

Press the programming button on the master transmitter while in programming mode until the receiver confirms that programming has been successful. The programming process is now complete.

2) Programming additional transmitters

1. Press the programming button of the master transmitter until the receiver confirms.
2. Then press the programming button of the new transmitter until the receiver confirms.
3. Now press the programming button of the new transmitter again.
4. The receiver confirms successful programming.

Installing the wall bracket

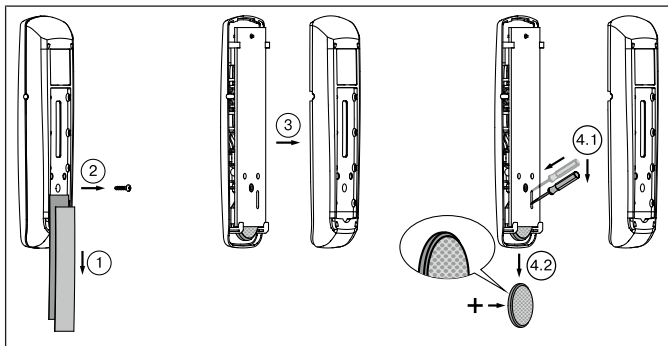


- Before installation in the desired installation position, check that the transmitter and receiver are functioning properly.
- Fix the bracket to the wall with the two screws enclosed.

Changing batteries



You will find the appropriate battery type in the "Technical data" chapter.



Cleaning

Only clean the device with a suitable cloth. Do not use aggressive cleaning agents that may damage the surface.



Technical data

Rated voltage	3 V DC
Battery type	CR 2430
Degree of protection	IP 20
Permissible ambient temperature	-10 °C to +55 °C
Maximum emitted transmission output	≤ 3 mW
Radio frequency	915.3 MHz

The maximum transmitter range on and in the building is up to 15 m, and up to 150 m in the open.

What to do if...?

Problem	Remedy
Drive is not functioning.	Insert a new battery.
	Insert the battery correctly.
	Reduce distance from receiver.
	Program transmitter.
Desired drive is not functioning.	Select correct channel.



BECKER